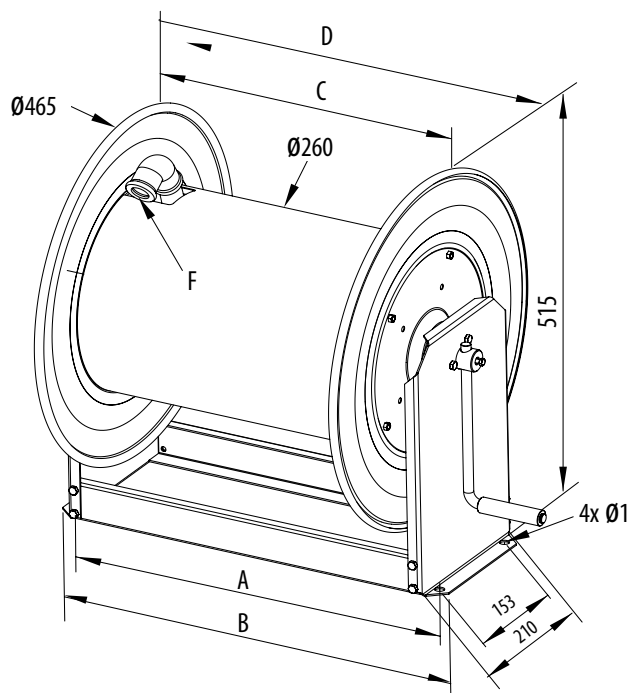
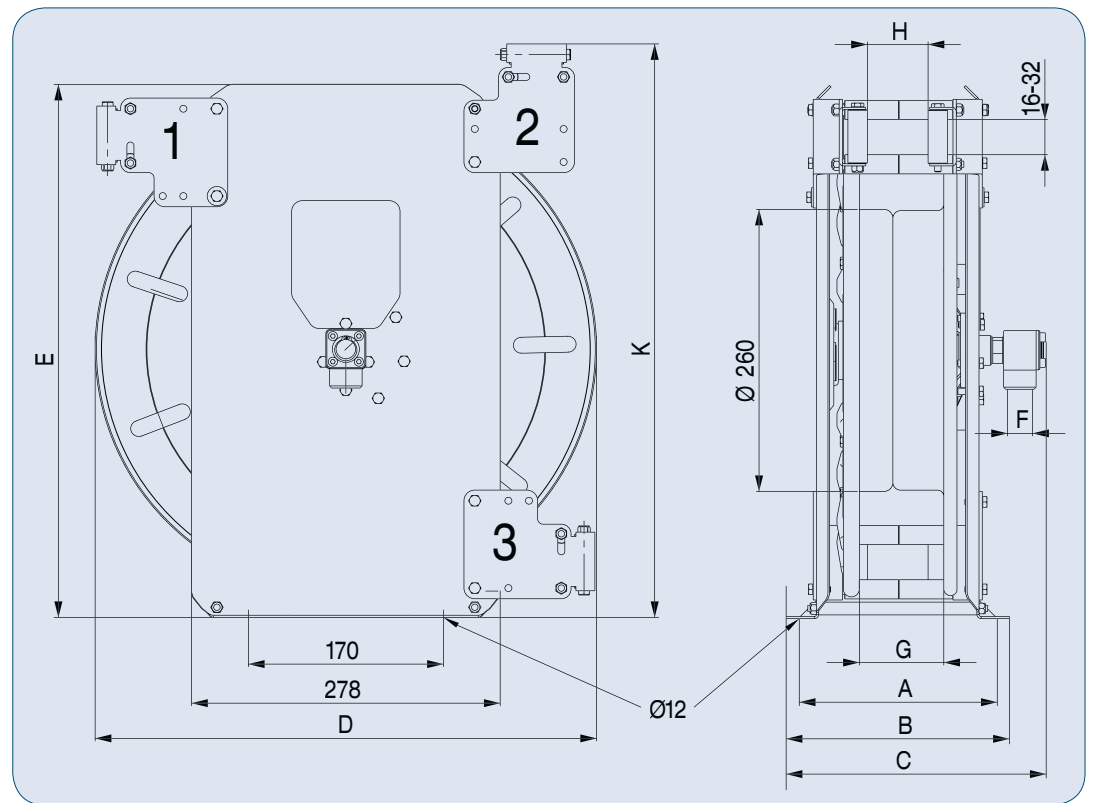


SPECIFICATIES HASPEL STKI2



| Art.-Nr. | Type | Slanglengte in mm | | | | F | | | | Afmetingen in mm | | | |
|-------------|-----------------|-------------------|-----|-----|-----|----|------|-----|------|------------------|-----|-----|------|
| | | ø17 | ø22 | ø28 | ø35 | mm | Zoll | bar | kg | A | B | C | D |
| 3/4" (DN19) | | | | | | | | | | | | | |
| 460370 | STKi2 20/12-RVS | 60 | 35 | | | 12 | 1/2" | 400 | 10,5 | 280 | 312 | 200 | 385 |
| 460428 | STKi2 30/12-RVS | 90 | 50 | | | 12 | 1/2" | 400 | 10,5 | 280 | 312 | 200 | 385 |
| 460385 | STKi2 40/12-RVS | 125 | 70 | | | 12 | 1/2" | 400 | 13,5 | 480 | 512 | 400 | 585 |
| 460397 | STKi2 50/12-RVS | 150 | 85 | | | 12 | 1/2" | 400 | 14,6 | 580 | 612 | 500 | 685 |
| 460398 | STKi2 60/12-RVS | 185 | 100 | | | 12 | 1/2" | 400 | 15,7 | 680 | 712 | 600 | 785 |
| op aanvraag | STKi2 70/12-RVS | 215 | 115 | | | 12 | 1/2" | 400 | 16,8 | 780 | 812 | 700 | 885 |
| 460399 | STKi2 80/12-RVS | 250 | 130 | | | 12 | 1/2" | 400 | 17,9 | 880 | 912 | 800 | 985 |
| 3/4" (DN19) | | | | | | | | | | | | | |
| 460375 | STKi2 20/19-RVS | | | 20 | | 19 | 3/4" | 200 | 11,7 | 280 | 312 | 200 | 414 |
| 460390 | STKi2 40/19-RVS | | | 40 | | 19 | 3/4" | 200 | 14,7 | 480 | 512 | 400 | 614 |
| 460396 | STKi2 50/19-RVS | | | 50 | | 19 | 3/4" | 200 | 15,8 | 580 | 612 | 500 | 714 |
| 460400 | STKi2 60/19-RVS | | | 60 | | 19 | 3/4" | 200 | 16,9 | 680 | 712 | 600 | 814 |
| op aanvraag | STKi2 70/19-RVS | | | 70 | | 19 | 3/4" | 200 | 18,0 | 780 | 812 | 700 | 914 |
| 460394 | STKi2 80/19-RVS | | | 80 | | 19 | 3/4" | 200 | 19,1 | 880 | 912 | 800 | 1014 |
| 1" (DN24) | | | | | | | | | | | | | |
| 460380 | STKi2 20/24-RVS | | | | 15 | 24 | 1" | 100 | 12,0 | 280 | 312 | 200 | 414 |
| 460395 | STKi2 40/24-RVS | | | | 33 | 24 | 1" | 100 | 15,0 | 480 | 512 | 400 | 614 |
| 460438 | STKi2 50/24-RVS | | | | 43 | 24 | 1" | 100 | 16,1 | 580 | 612 | 500 | 714 |
| 460436 | STKi2 60/24-RVS | | | | 52 | 24 | 1" | 100 | 17,2 | 680 | 712 | 600 | 814 |
| 460440 | STKi2 70/24-RVS | | | | 61 | 24 | 1" | 100 | 18,3 | 780 | 812 | 700 | 914 |
| op aanvraag | STKi2 80/24-RVS | | | | 70 | 24 | 1" | 100 | 19,4 | 880 | 912 | 800 | 1014 |

TYPE ST



Slanglengte in mm

F

Afmetingen in mm

| Art.-Nr. | Type | | Slanglengte in mm | | | | | F | | | Afmetingen in mm | | | | | | | |
|--------------------|------------|---------------|-------------------|-----|-----|-----|----|------|-----|------|------------------|-----|-----|-----|-----|-----|-----|-----|
| | | | ø15 | ø20 | ø25 | ø30 | mm | Zoll | bar | kg | A | B | C | D | E | F | G | H |
| 3/8" (DN10) | | | | | | | | | | | | | | | | | | |
| 460300 | ST14/10 | poedercoating | 14 | 12 | | | 10 | 3/8" | 300 | 13 | 176 | 206 | 239 | 400 | 440 | 75 | 48 | 470 |
| 460302 | ST14/10e | rvs | 14 | 12 | | | 10 | 3/8" | 300 | 13 | 176 | 206 | 239 | 400 | 440 | 75 | 48 | 470 |
| 460307 | ST20/10 | poedercoating | 20 | 17 | | | 10 | 3/8" | 300 | 16 | 176 | 206 | 239 | 460 | 500 | 75 | 48 | 530 |
| 460308 | ST20/10e | rvs | 20 | 17 | | | 10 | 3/8" | 300 | 16 | 176 | 206 | 239 | 460 | 500 | 75 | 48 | 530 |
| 460310 | ST20/10ep | verzinkt | 20 | 17 | | | 10 | 3/8" | 300 | 16 | 176 | 206 | 239 | 460 | 500 | 75 | 48 | 530 |
| 460316 | ST30/10 | poedercoating | 28 | 10 | | | | 3/8" | 300 | 18 | 226 | 256 | 304 | 460 | 500 | 125 | 106 | 530 |
| 460313 | ST30/10e | rvs | 28 | 10 | | | | 3/8" | 300 | 18 | 226 | 256 | 304 | 460 | 500 | 125 | 106 | 530 |
| 460315 | ST40/10/2 | poedercoating | 40 | 37 | | | 10 | 3/8" | 300 | 22 | 276 | 306 | 339 | 460 | 500 | 182 | 152 | 530 |
| 460320 | ST40/10/2e | rvs | 40 | 37 | | | 10 | 3/8" | 300 | 22 | 276 | 306 | 339 | 460 | 500 | 182 | 152 | 530 |
| 460329 | ST60/10/3e | rvs | 57 | 50 | | | 10 | 3/8" | 300 | 32,5 | 376 | 406 | 454 | 460 | 500 | 282 | 252 | 530 |
| 1/2" (DN12) | | | | | | | | | | | | | | | | | | |
| 460306 | ST14/12e | rvs | | 12 | 8 | | 12 | 1/2" | 200 | 13 | 176 | 206 | 239 | 400 | 440 | 75 | 48 | 470 |
| 460309 | ST20/12e | rvs | | 17 | 13 | | 12 | 1/2" | 200 | 16 | 176 | 206 | 239 | 460 | 500 | 75 | 48 | 530 |
| 460314 | ST30/12e | rvs | | 25 | 22 | | 12 | 1/2" | 200 | 18 | 226 | 256 | 304 | 460 | 500 | 125 | 106 | 530 |
| 460326 | ST40/12/2e | rvs | | 37 | 12 | | | 1/2" | 200 | 22 | 276 | 306 | 339 | 460 | 500 | 182 | 152 | 530 |
| 3/4" (DN19) | | | | | | | | | | | | | | | | | | |
| 460311 | ST20/19 | poedercoating | | | 10 | 7 | 19 | 3/4" | 200 | 17 | 176 | 206 | 254 | 460 | 500 | 75 | 48 | 530 |
| 460312 | ST20/19e | rvs | | | 10 | 7 | 19 | 3/4" | 200 | 17 | 176 | 206 | 254 | 460 | 500 | 75 | 48 | 530 |
| 460330 | ST40/19/1 | poedercoating | | | 20 | 18 | 19 | 3/4" | 200 | 19 | 276 | 306 | 354 | 460 | 500 | 182 | 152 | 530 |
| 460331 | ST40/19/1e | rvs | | | 20 | 18 | 19 | 3/4" | 200 | 19 | 276 | 306 | 354 | 460 | 500 | 182 | 152 | 530 |
| 460335 | ST40/19/2 | poedercoating | | | 36 | 30 | 19 | 3/4" | 200 | 25 | 376 | 406 | 454 | 460 | 500 | 282 | 252 | 530 |
| 460336 | ST40/19/2e | rvs | | | 36 | 30 | 19 | 3/4" | 200 | 25 | 376 | 406 | 454 | 460 | 500 | 282 | 252 | 530 |